

HYDRAULIC PISTON PUMPS

www.hydrex.com.tr



 **HYDREX**

INDEX

Bent Axis Piston Pumps

<i>Truck Mounted Piston Pump / Standard Series</i>	4
--	----------

<i>Truck Mounted Piston Pump / High Pressure Dual Flow Series</i>	5
---	----------

Straight Piston Pumps

<i>9 Piston</i>	6
-----------------	----------

<i>6 Piston</i>	7
-----------------	----------

TRUCK MOUNTED PISTON PUMP SERIES



Spline Shaft: DIN 5462 / ISO 14
Mounting Flange: ISO 7653-D

High Pressure Iron Cast Pump

From 12 to 130 cc options

High pressure

High Efficiency

Low noise

For use DIN mount PTO

7 Pistons

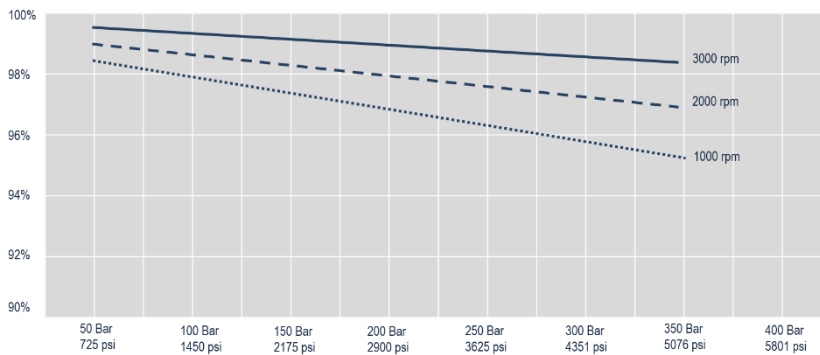
Seals and color options

ORDER CODE	Displacement @1000 RPM	Max. Continuous Pressure BAR	Max. Peak Pressure BAR	Continuous Rotating Speed RPM	Max. Rotating Speed RPM	Overhang Torque Nm	Working Temperature Min./Max. °C
T07-2-0001	12,4	300	400	2300	3000	6,9	-35/+90
T07-2-0002	17,1	300	400	2300	3000	6,9	-35/+90
T07-2-0003	25,2	300	400	2300	3000	7,4	-35/+90
T07-2-0004	34	300	400	2300	3000	7,4	-35/+90
T07-2-0005	40,8	300	400	1900	2500	13	-35/+90
T07-2-0006	47,2	300	400	1900	2500	13	-35/+90
T07-2-0007	55,8	300	400	1900	2500	13	-35/+90
T07-2-0008	63,4	300	400	1900	2500	13	-35/+90
T07-2-0009	83,5	300	400	1500	2000	21	-35/+90
T07-2-0010	90,4	300	400	1500	2000	21	-35/+90
T07-2-0011	108,1	300	400	1500	2000	21	-35/+90
T07-2-0012	130,3	300	400	1500	2000	24	-35/+90

TRUCK MOUNTED DUAL PISTON PUMP SERIES



Efficiency Curve



High Pressure Iron Cast Pump (Dual Flow)

53+53 and 56+26cc options

High pressure

High Efficiency

Low noise

For use DIN mount PTO

Long life

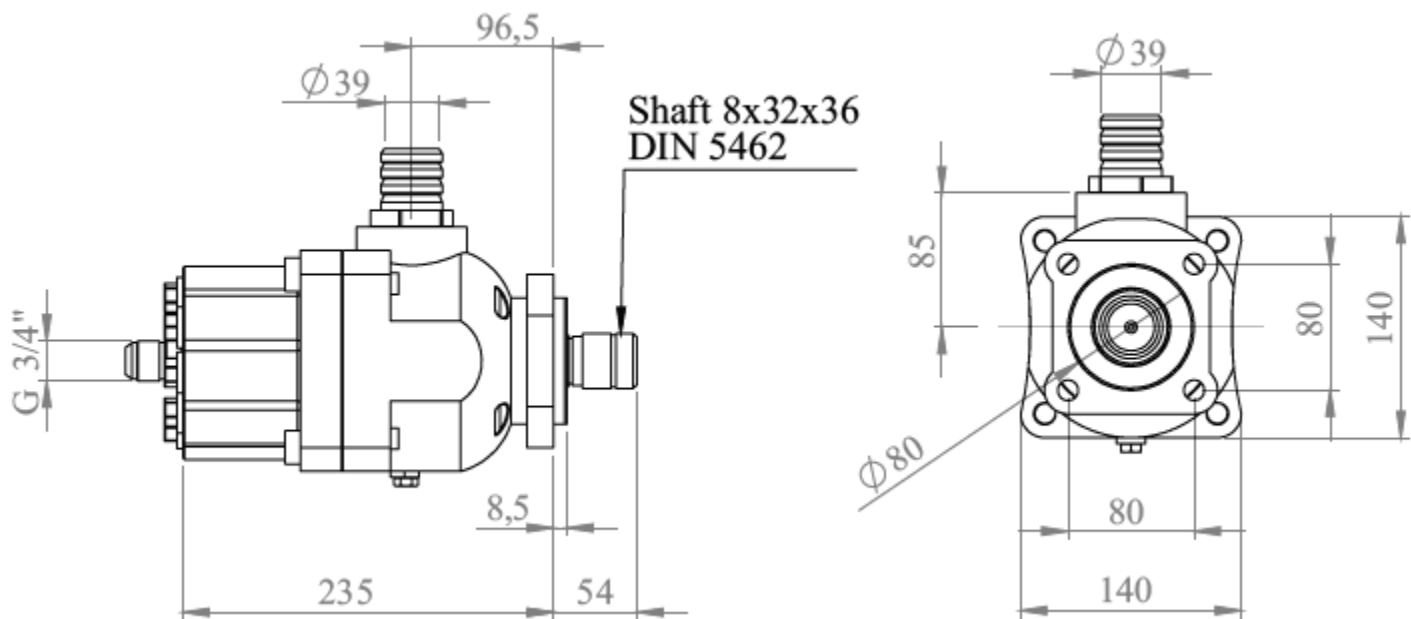
Nickel cover

Parallel working operation

Seals and color options

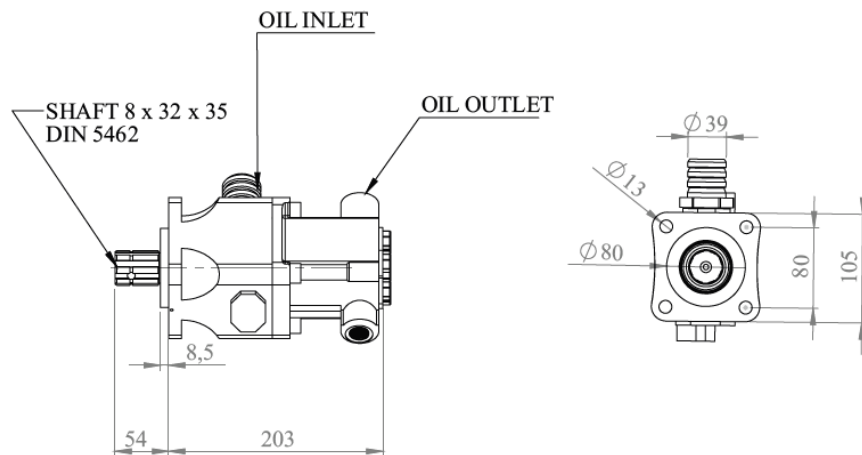
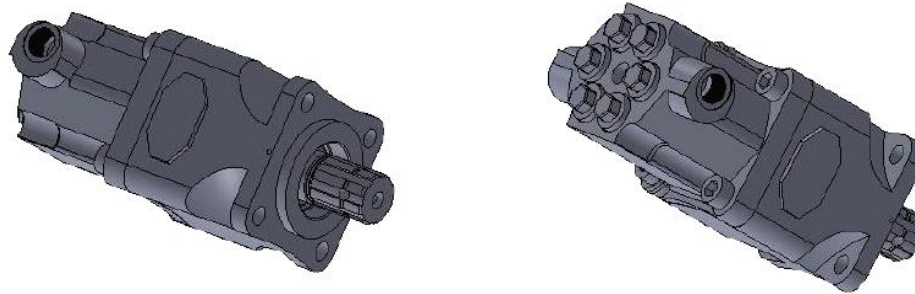
ORDER CODE	Displacement @1000 RPM	Max. Continuous Pressure BAR	Max. Peak Pressure BAR	Continuous Rotating Speed RPM	Max. Rotating Speed RPM	Overhang Torque Nm	Working Temperature Min./Max. °C
T07-2-0013	53+53	300	400	1900	2500	21	-35/+90
T07-2-0014	56+26	300	400	1900	2500	21	-35/+90

9 PISTON PUMPS



ORDER CODE	Displacement lpm / gpm	Max. Continuous (speed) n (min-1)	Min. Intermitt. (speed) n (min-1)	Max. Intermitt. (speed) n (min-1)	Max. Continuous (pressure) bar	Max. Intermitt. (pressure) bar	Max. Peak (pressure) bar(psi)
T07-1-0001	77,5 / 17	1000	300	2000	200	350	450
T07-1-0002	77,5 / 17	1000	300	2000	200	350	450
T07-1-0003	97,5 / 21,4	1000	350	1800	200	350	450
Oil Inlet / Outlet					R 1 1/4" – M 28 x 1.5		
Fluid					Mineral based hydraulic oils		

6 PISTON PUMPS



Technical Specifications

ORDER CODE	Displacement cm ³	Pressure Continuous Bar/psi	Pressure Peak Bar/psi	Continuous Max Speed rev.	Peak Max.Speed rev.	Oil Inlet	Oil Outlet
T07-1-0004	58	250	400	800	1200	39	G 3/4"
T07-1-0005	29	250	400	800	1200	39	G 3/4"
T07-1-0006	58	180	400	800	1200	M30x1,5	M22x1,5
T07-1-0007	29	180	400	800	1200	M30x1,5	M22x1,5
T07-1-0008	58	180	400	800	1200	M30x1,5	M22x1,5
T07-1-0009	29	180	400	800	1200	M30x1,5	M22x1,5
T07-1-0010	58	200	400	800	1200	39	G 3/4"
T07-1-0011	29	200	400	800	1200	39	G 3/4"

HYDREX

A.O.S.B. 10.000 Sokak No.22
Çiğli / İzmir / Türkiye
Tel: +90 232 376 79 99
Fax: +90 232 376 80 78

sales@hyrex.com.tr
info@hyrex.com.tr

www.hyrex.com.tr

